

PROFESSIONAL RANGE

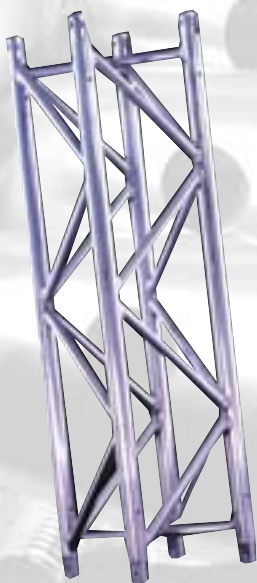
GS TRUSS



G.S. Truss combines the lateral strength of Minibeam with high vertical loading. It is manufactured from high grade 6082-T6 aluminium alloy and uses fork end fittings for quick and easy assembly. G.S. Truss conforms to the latest EN and DIN standards.

G.S. Truss is a 347mm (1ft) OD square truss and comes in exactly the same lengths as Mini Beam, i.e. metric and imperial modules, and can be adapted to be used along side in certain circumstances. It comes with all of the usual adapters and corner blocks associated with the Slick ranges. In addition, Slick's Mini Ladder Beam system can be used in conjunction with both Mini Beam and GS Truss giving greater flexibility to the designer.

GS Truss is widely used in tower applications and can be made into a self climbing tower with the addition of a purpose built steel base unit, head block and a variety of Sleeve Blocks.



**All Slick Truss is designed and calculated to the following standards:
DIN 1055, DIN 18800,
DIN 4112, DIN 4113, DIN 1481.**

All Slick Truss conforms to the "U-sign" for quality conformance.

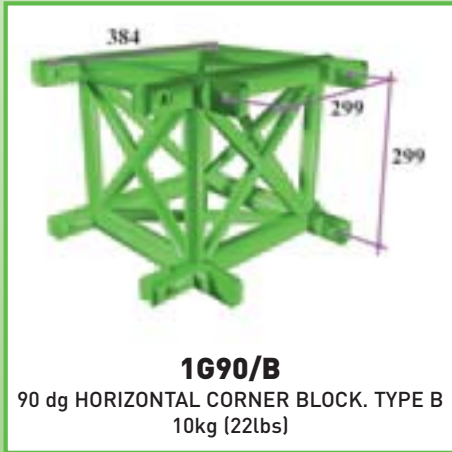
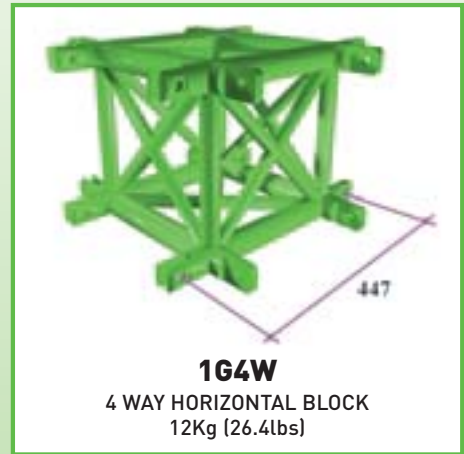
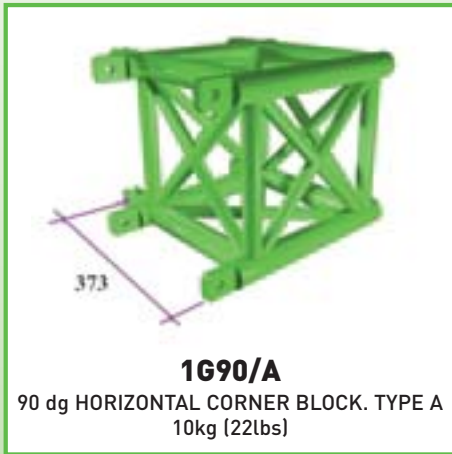
Slick (UK) Ltd is quality controlled internally to EN 729-3 and 729-4 and externally by the RWTUV, Essen and to EN4113-1.

All of our welders are certified to EN287-2.

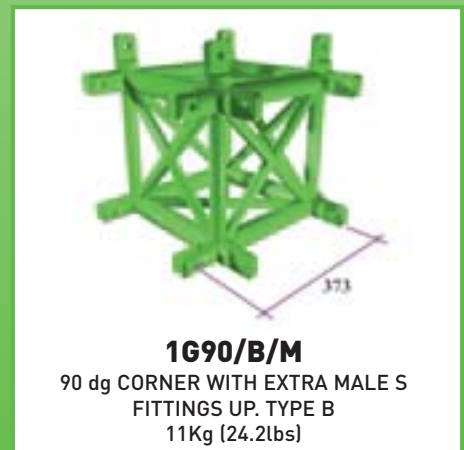
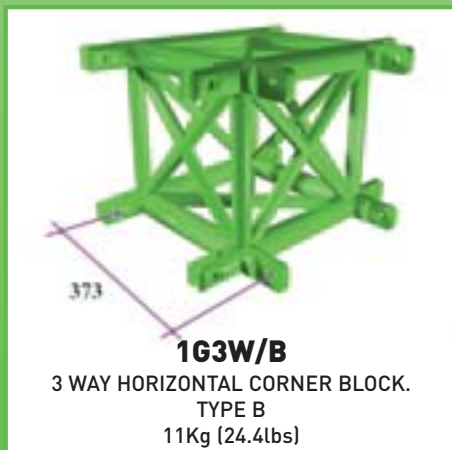
Span	Span	Distributed Load	Distributed Load	Deflection	Central Point Load	Central Single Load	Deflection	3rd Point Load	3rd Point Load	Deflection	Qtr Point Load	Qtr Point Load	Deflection	5th Point Load	5th Point Load	Deflection
m	ft	kg	lbs	cm	kg	lbs	cm	kg	lbs	cm	kg	lbs	cm	kg	lb	cm
4.00	13,1	4478,8	9853,4	1,0	2239,4	4942,4	0,8	1679,6	3706,8	1,0	1119,7	2471,2	0,9	929,4	2051,1	1,0
5.00	16,4	3564,0	7840,8	1,5	1782,1	3933,1	1,2	1336,6	2949,8	1,5	891,1	1966,5	1,4	739,6	1632,2	1,5
6.00	19,7	2950,8	6491,8	2,2	1475,5	3256,3	1,7	1106,6	2442,3	2,2	737,7	1628,2	2,1	612,3	1351,4	2,2
7.00	23,0	2510,2	5522,4	3,0	1254,9	2769,6	2,4	941,2	2077,2	3,0	627,5	1384,8	2,8	520,8	1149,4	3,0
8.00	26,2	2176,8	4789,0	3,9	1088,2	2401,7	3,1	816,2	1801,3	3,9	544,1	1200,9	3,7	451,6	996,7	3,9
9.00	29,5	1915,2	4213,4	4,9	957,4	2113,0	3,9	718,0	1584,7	5,0	478,7	1056,5	4,6	397,3	876,9	5,0
10.00	32,8	1703,0	3746,6	6,0	851,7	1879,6	4,8	638,8	1409,7	6,2	425,8	939,8	5,7	353,4	780,1	6,2
11.00	26,1	1529,0	3363,8	7,3	764,2	1686,7	5,8	573,2	1265,0	7,5	382,1	843,3	6,9	317,2	700,0	7,5
12.00	39,4	1381,2	3038,6	8,7	690,5	1523,9	7,0	517,9	1142,9	8,9	345,2	761,9	8,2	286,5	632,4	8,9
13.00	42,6	1254,5	2759,9	10,2	627,3	1384,4	8,2	470,5	1038,3	10,4	313,6	692,2	9,7	260,3	574,5	10,4
14.00	45,9	1145,2	2519,4	11,8	572,3	1263,2	9,5	429,3	947,4	12,1	286,2	631,6	11,2	237,5	524,2	12,1

HORIZONTAL CORNERS

Code Description: 'A and B' - Denotes Left or Right hand



HORIZONTAL / VERTICAL CORNERS

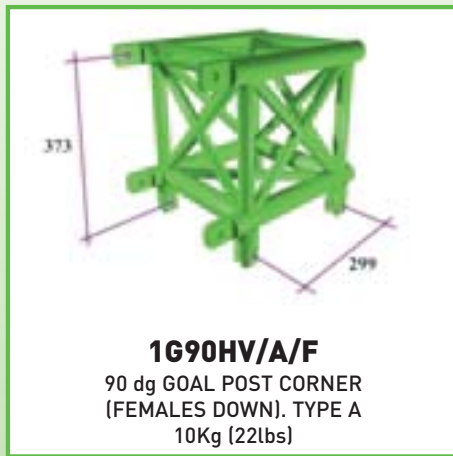


HORIZONTAL / VERTICAL CORNERS

Code Description: 'A and B' - Denotes Left or Right hand

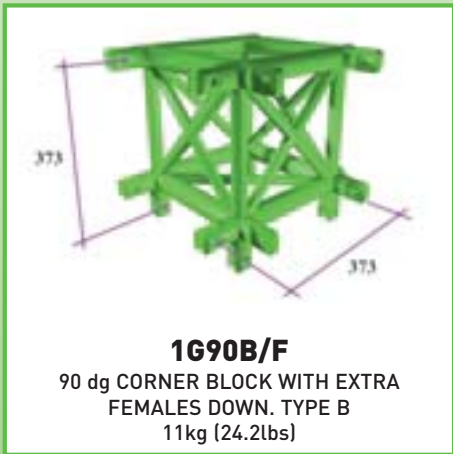


1G90A/F



1G90HV/A/F

90 dg GOAL POST CORNER
(FEMALES DOWN). TYPE A
10Kg (22lbs)



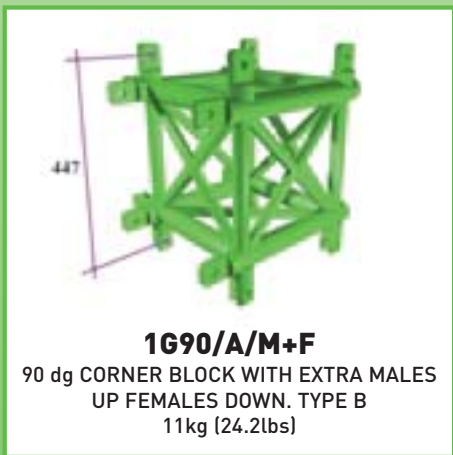
1G90B/F

90 dg CORNER BLOCK WITH EXTRA
FEMALES DOWN. TYPE B
11kg (24.2lbs)



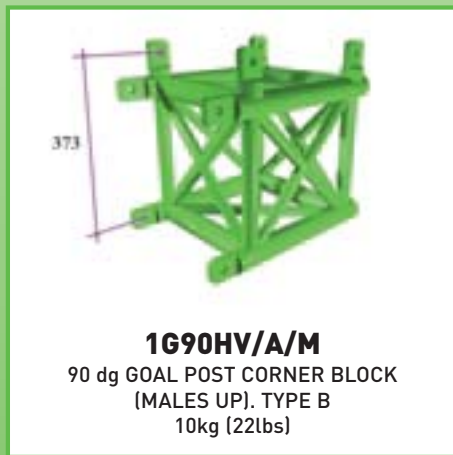
1G90HV/B/F

90 dg GOAL POST CORNER
(FEMALES DOWN). TYPE A
10Kg (22lbs)



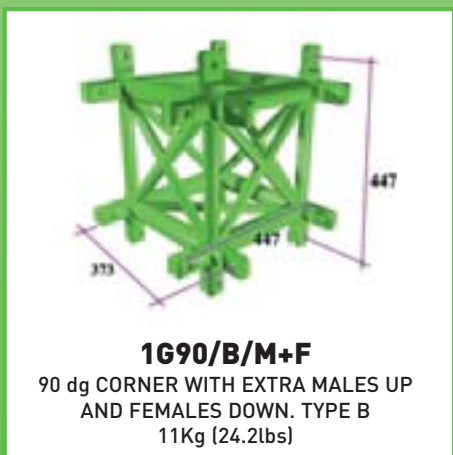
1G90A/M+F

90 dg CORNER BLOCK WITH EXTRA MALES
UP FEMALES DOWN. TYPE B
11kg (24.2lbs)



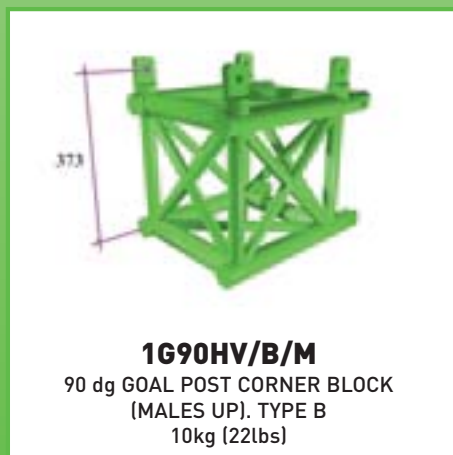
1G90HV/A/M

90 dg GOAL POST CORNER BLOCK
(MALES UP). TYPE B
10kg (22lbs)



1G90B/M+F

90 dg CORNER WITH EXTRA MALES UP
AND FEMALES DOWN. TYPE B
11Kg (24.2lbs)

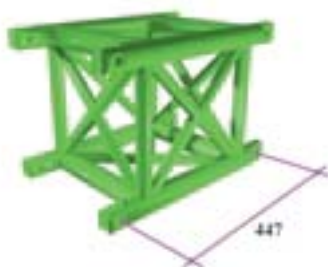


1G90HV/B/M

90 dg GOAL POST CORNER BLOCK
(MALES UP). TYPE B
10kg (22lbs)

HORIZONTAL / VERTICAL CORNERS

Code Description: 'A and B' - Denotes Left or Right hand



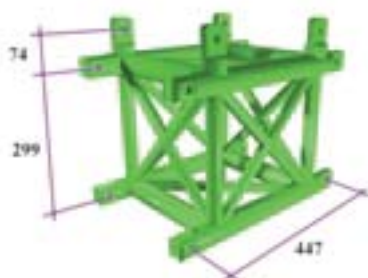
1G2W

180 dg STRAIGHT THROUGH
CORNER BLOCK
9.5Kg (21lbs)



1G3W/A/M

3 WAY CORNER BLOCK FITTINGS UP
TYPE A
12Kg (26lbs)



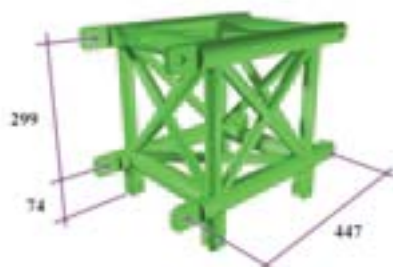
1G2W/M

180 dg STRAIGHT THROUGH CORNER
BLOCK WITH EXTRA MALE FITTINGS UP
10.5kg (23lbs)



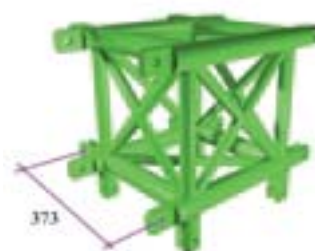
1G3W/B/M

3 WAY CORNER BLOCK WITH EXTRA
MALES UP. TYPE B
12Kg (26lbs)



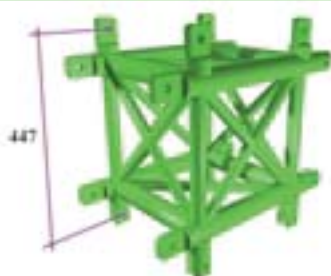
1G2W/F

180 dg STRAIGHT THROUGH CORNER BLOCK
WITH EXTRA FEMALE FITTINGS DOWN
10.5kg (23lbs)



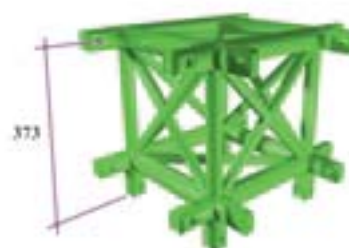
1G3W/A/F

3 WAY CORNER BLOCK WITH EXTRA
FEMALE FITTINGS DOWN. TYPE A
12kg (26lbs)



1G2W/M+F

180 dg STRAIGHT THROUGH CORNER
BLOCK WITH EXTRA MALE FITTINGS UP
AND FEMALES DOWN
12Kg (26lbs)

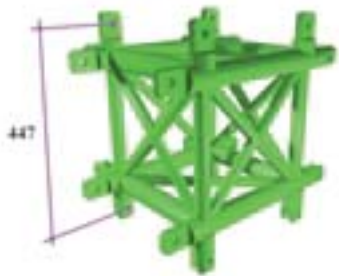


1G3W/B/F

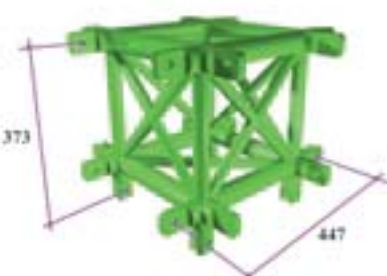
3 WAY CORNER BLOCK WITH EXTRA
FEMALE FITTINGS DOWN. TYPE B
12kg (26lbs)

HORIZONTAL / VERTICAL CORNERS

Code Description: 'A and B' - Denotes Left or Right hand



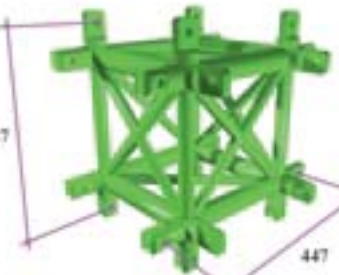
1G3W/A/M+F
3 WAY CORNER BLOCK WITH EXTRA MALES FITTINGS UP AND FEMALES DOWN. TYPE A
13Kg (29lbs)



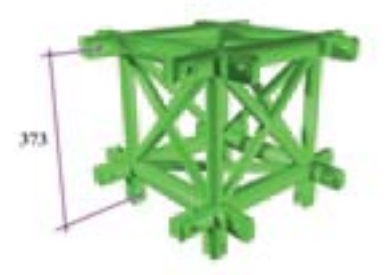
1G4W/A/F
4 WAY CORNER BLOCK WITH EXTRA FEMALE FITTINGS DOWN. TYPE A
13Kg (29lbs)



1GSSH/HV
SWIVEL HINGE FRAME HORIZONTAL + VERTICAL
10Kg (22lbs)



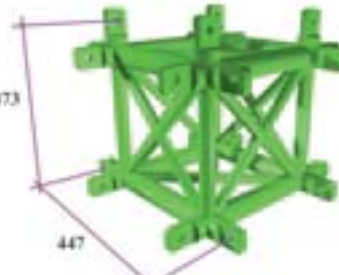
1G3W/B/M+F
3 WAY CORNER BLOCK WITH EXTRA MALE FITTINGS UP AND FEMALES DOWN. TYPE B
13kg (29lbs)



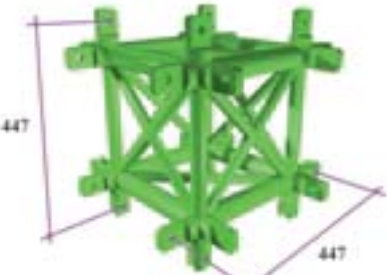
1G4W/B/F
4 WAY CORNER BLOCK WITH EXTRA FEMALE FITTINGS DOWN. TYPE B
13Kg (29lbs)



GSSH/H
SWIVEL HINGE FRAME HORIZONTAL
10kg (22lbs)



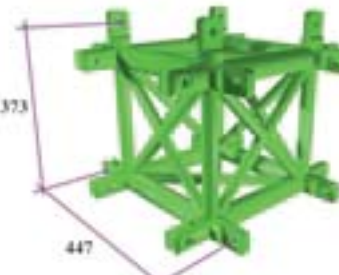
1G4W/A/M
4 WAY CORNER BLOCK WITH EXTRA MALES UP. TYPE A
13kg (29lbs)



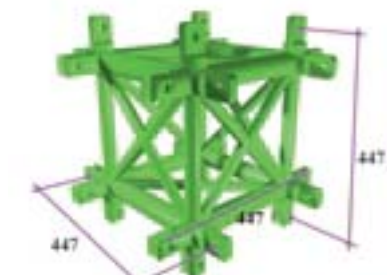
1G4W/A/M+F
4 WAY CORNER BLOCK WITH EXTRA MALE FITTINGS UP AND FEMALES DOWN. TYPE A
14Kg



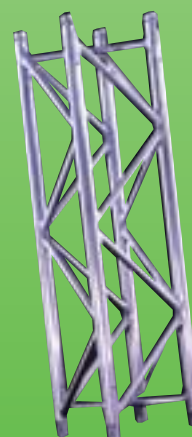
GSSH/V
SWIVEL HINGE FRAME VERTICAL
10kg (22lbs)



1G4W/B/M
4 WAY CORNER WITH EXTRA MALES UP AND FEMALES DOWN. TYPE B
13Kg (29lbs)



1G4W/B/M+F
4 WAY CORNER BLOCK WITH EXTRA MALE FITTINGS UP AND FEMALES DOWN. TYPE B
14Kg (31lbs)



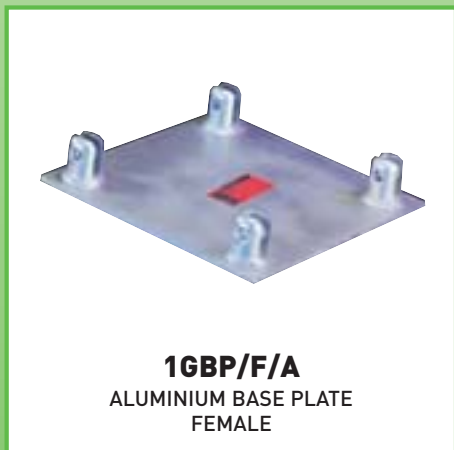
HEAD & BASE PLATES



1GBP/M
STEEL BASE PLATE
MALE



1GBP/F
STEEL BASE PLATE
FEMALE



1GBP/F/A
ALUMINIUM BASE PLATE
FEMALE



1GHL/M
HEAD PLATE
MALE

SLICK	GS TRUSS STRAIGHT LENGTHS
1G1	0.390Mt (1ft) SECTION
1G2	0.666Mt (2ft) SECTION
1G4	1.243Mt (4ft) SECTION
1G6	1.820Mt (6ft) SECTION
1G8	2.4Mt (8ft) SECTION
1G10	3.0Mt (10ft) SECTION
1G12	3.556Mt (12ft) SECTION
1G14	4.140 Mt (14ft) SECTION

SLICK	GS TRUSS HORIZONTAL CORNERS
1G90/A	90 dg CORNER BLOCK / TYPE A
1G90/B	90 dg CORNER BLOCK / TYPE B
1G2W	TWO WAY STRAIGHT CORNER BLOCK
1G3W/A	THREE WAY CORNER BLOCK / A TYPE
1G3W/B	THREE WAY CORNER BLOCK / B TYPE
1G4W	FOUR WAY CORNER BLOCK

SLICK	GS TRUSS HORIZONTAL / VERTICAL CORNERS
1G90/A/M	90 dg CORNER BLOCK / TYPE A + MALE UP
1G90/B/M	90 dg CORNER BLOCK / TYPE B + MALE UP
1G90/A/F	90 dg CORNER / TYPE A + FEMALE DOWN
1G90/B/F	90 dg CORNER / TYPE B + FEMALE DOWN
1G90/A/M+F	90 dg CORNER / TYPE A + MALE UP + FEMALE DOWN
1G90/B/M+F	90 dg CORNER / TYPE B + MALE UP + FEMALE DOWN
1G90-HV/A/F	90dg GOAL POST CORNER TYPE A / WITH FEMALE DOWN
1G90-HV/B/F	90dg GOAL POST CORNER TYPE B / WITH FEMALE DOWN
1G90-HV/A/M	90dg GOAL POST CORNER TYPE A / WITH MALE DOWN
1G90-HV/B/M	90dg GOAL POST CORNER TYPE B / WITH MALE DOWN
1G2W/M	THROUGH CORNER + MALE DOWN
1G2W/F	THROUGH CORNER + FEMALE DOWN
1G2W/M+F	THROUGH CORNER + FEMALE DOWN + MALE UP
1G3W/A/M	THREE WAY CORNER BLOCK / TYPE A + MALE UP
1G3W/B/M	THREE WAY CORNER BLOCK / TYPE B + MALE UP
1G3W/A/F	THREE WAY CORNER BLOCK / TYPE A + FEMALE DOWN
1G3W/B/F	THREE WAY CORNER BLOCK / TYPE B + FEMALE DOWN
1G3W/A/M+F	THREE WAY CORNER BLOCK / TYPE A + MALE UP + FEMALE DOWN
1G3W/B/M+F	THREE WAY CORNER BLOCK / TYPE B + MALE UP + FEMALE DOWN
1G4W/A/M	FOUR WAY CORNER BLOCK / TYPE A + MALE UP
1G4W/B/M	FOUR WAY CORNER BLOCK / TYPE B + MALE UP
1G4W/A/F	FOUR WAY CORNER BLOCK / TYPE A + FEMALE DOWN
1G4W/B/F	FOUR WAY CORNER BLOCK / TYPE B + FEMALE DOWN
1G4W/A/M+F	FOUR WAY CORNER BLOCK / TYPE A + MALE UP + FEMALE DOWN
1G4W/B/M+F	FOUR WAY CORNER BLOCK / TYPE B + MALE UP + FEMALE DOWN
GSSH/V	SWIVEL HINGE FRAME / VERTICAL
GSSH/H	SWIVEL HINGE FRAME / HORIZONTAL
GSSH/V/H	SWIVEL HINGE FRAME / HORIZONTAL + VERTICAL

SLICK	GS TRUSS HEAD AND BASE PLATES
1GBP/F/A	ALUMINUM BASE PLATE 39cm X 39cm / FEMALE
1GBP/M/A	ALUMINUM BASE PLATE 39cm X 39cm / MALE
1GBP/F	STEEL BASE PLATE 50cm X 50cm / FEMALE
1GBP/M	STEEL BASE PLATE 50cm X 50cm / MALE
1GHL/F/A	ALUMINUM HEAD ADAPTOR PLATE / FEMALE / SCAFF CLIPS
1GHL/M/A	ALUMINUM HEAD ADAPTOR PLATE / MALE / SCAFF CLIPS
GP	GS TRUSS MAST PIN (USED IN TOWER SITUATIONS)
TP	TRUSS PIN
R3	R-CLIP FOR TRUSS PIN AND GS PIN